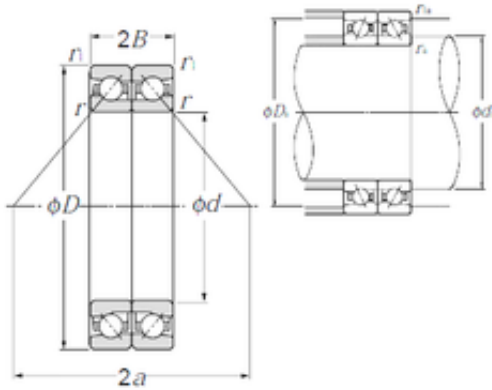




NEI Manufacturing Bearing LTD.

280 mm x 420 mm x 61,5 mm NTN HTA056DB
angular contact ball bearings



Bearing No. HTA056DB

Size	280x420x61.5 mm
Bore Diameter	280 mm
Outer Diameter	420 mm
Width	61,5 mm
d	280 mm
D	420 mm
B	61,5 mm
C	61,5 mm
ra1 max.	1,5 mm
r min.	4 mm
r1 min.	1,5 mm
2B	123 mm
da min.	303 mm
Da max.	408 mm
ra max.	3 mm
Weight	59,6 Kg
Basic dynamic load rating (C)	375 kN
Basic static load rating (C0)	1 230 kN
(Grease) Lubrication Speed	1 500 r/min

HTA056DB Bearing 2D drawings and 3D CAD models