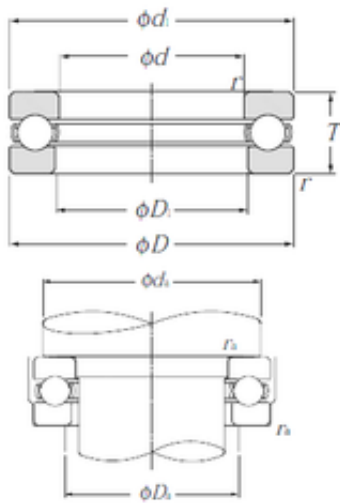




# NEI Manufacturing Bearing LTD.



## NTN 51206 thrust ball bearings

Bearing No. 51206

Size	30x52x16 mm
Bore Diameter	30 mm
Outer Diameter	52 mm
Width	16 mm
d	30 mm
D	52 mm
T	16 mm
d1	52 mm
r min.	0,6 mm
D1	32 mm
da min.	43 mm
Da max.	39 mm
ra max.	0,6 mm
Weight	0,139 Kg
Basic dynamic load rating (C)	29,3 kN
Basic static load rating (C0)	58 kN
(Grease) Lubrication Speed	3 400 r/min
Category	Thrust Ball Bearing
Inventory	0.0
Manufacturer Name	NTN
Minimum Buy Quantity	N/A
Weight / Kilogram	0.129
EAN	4547359306613
Product Group	B00308
Rolling Element	Ball Bearing
Thrust Bearing	Yes

51206 Bearing 2D drawings and 3D CAD models



## NEI Manufacturing Bearing LTD.

Single or Double Direction	Single Direction
Banded	No
Cage Material	Steel
Precision Class	ABEC 1   ISO P0
Component Description	Roller Assembly Plus Raceways
Other Features	Single Row   With Flat Seat
Long Description	30MM Bore 1; 32MM Bore 2; 52MM Outside Diameter; 16MM Height; Ball Bearing; Single Direction; Not Banded; Steel Cage; ABEC 1   ISO P0 Precision
Inch - Metric	Metric
Category	Thrust Ball Bearings
UNSPSC	31171552
Harmonized Tariff Code	8482.10.50.08
Noun	Bearing
Keyword String	Ball Thrust
Manufacturer URL	<a href="http://www.ntnamerica.com">http://www.ntnamerica.com</a>
Manufacturer Item Number	51206
Weight / LBS	0.30644
Overall Height with Aligning Washer	0 Inch   0 Millimeter
Bore 1	1.181 Inch   30 Millimeter
Outside Diameter	2.047 Inch   52 Millimeter
Height	0.63 Inch   16 Millimeter
Bore 2	1.26 Inch   32 Millimeter
bore diameter:	30 mm
dynamic load capacity:	29300 N
outside diameter:	52 mm
operating temperature range:	-40 to 120 ° C
overall width:	16 mm



## NEI Manufacturing Bearing LTD.

maximum rpm:	4900 rpm
thrust bearing type:	Single-Direction
bearing material:	High Carbon Chrome Steel
outside diameter design:	Straight
cage material:	Resin
separable or banded:	Separable
fillet radius:	0.6 mm
precision rating:	ISO Class 0
series:	512
static load capacity:	58000 N
manufacturer product page:	<a href="#">Click here</a>