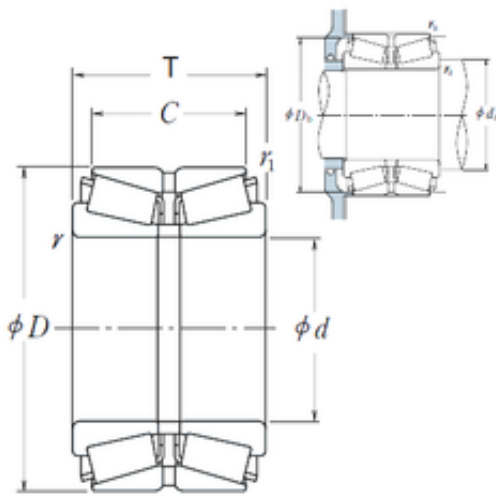




NEI Manufacturing Bearing LTD.



NSK 150KBE2601+L tapered roller bearings

Bearing No. 150KBE2601+L

Size	150x260x150 mm
Bore Diameter	150 mm
Outer Diameter	260 mm
Width	150 mm
d	150 mm
D	260 mm
T	150 mm
C	115 mm
r min.	4 mm
r1 min.	1 mm
da min.	171 mm
Db min.	242 mm
ra max.	3 mm
rb max.	1 mm
Weight	30 Kg
Basic dynamic load rating (C)	815 kN
Basic static load rating (C0)	1520 kN
(Grease) Lubrication Speed	1100 r/min
(Oil) Lubrication Speed	1400 r/min
Calculation factor (e)	0,43
Calculation factor (Y0)	1,5
Calculation factor (Y2)	2,3

150KBE2601+L Bearing 2D drawings and 3D CAD models