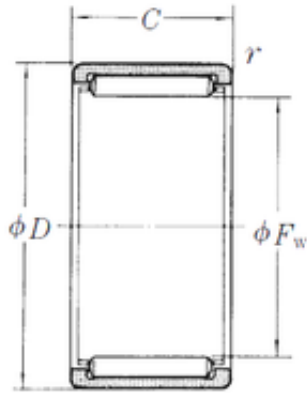




# NEI Manufacturing Bearing LTD.

## NSK RLM556725 needle roller bearings



Bearing No. RLM556725

Size	55x67x25 mm
Bore Diameter	55 mm
Outer Diameter	67 mm
Width	25 mm
Fw	55 mm
D	67 mm
C	25 mm
r min.	0,6 mm
Weight	0,165 Kg
Basic dynamic load rating (C)	46 kN
Basic static load rating (C0)	87 kN

RLM556725 Bearing 2D drawings and 3D CAD models