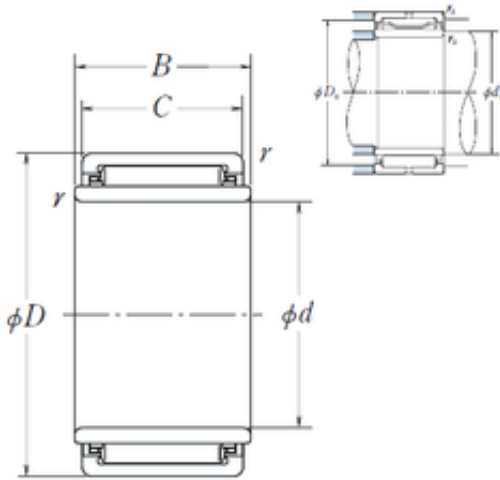




## NEI Manufacturing Bearing LTD.

40 mm x 55 mm x 20,3 mm NSK LM4520  
needle roller bearings

Bearing No. LM4520



LM4520 Bearing 2D drawings and 3D CAD models

Size	40x55x20.3 mm
Bore Diameter	40 mm
Outer Diameter	55 mm
Width	20,3 mm
d	40 mm
Fw	45 mm
D	55 mm
B	20,3 mm
C	20 mm
r min.	0,6 mm
da min.	44 mm
Da max.	51 mm
ra max.	0,6 mm
Weight	0,14 Kg
Basic dynamic load rating (C)	31 kN
Basic static load rating (C0)	53,5 kN
(Grease) Lubrication Speed	4800 r/min
hidYobi	LM4520
LangID	1
D_	55
B_	20.3
hidTable	ecat_NSMRNR
GRS rpm	4800
ra	0.6
da_min	44



## NEI Manufacturing Bearing LTD.

d2	40
C0	53.5
C1_	20
DE_	52
SLR	15.8
Prod_Type3	NRB_S_LM
DA_	3.5
Z_	26
SI	45
yobi	LM4520
da_max	51
OIL rpm	8000
SDM_	48.5
r	0.6
KBRG	8352
mass2	0.14
B1	20.3