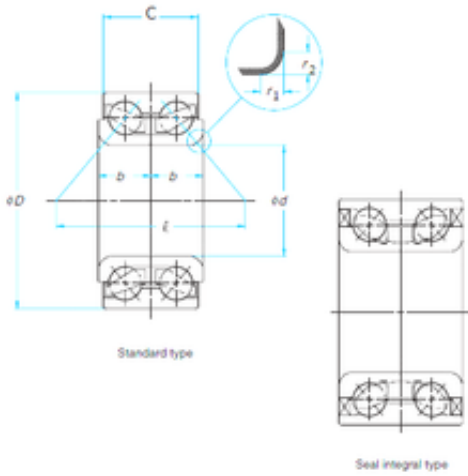




NEI Manufacturing Bearing LTD.



42 mm x 80 mm x 36 mm NSK 42BWD13
angular contact ball bearings

Bearing No. 42BWD13

Size	42x80x36 mm
Bore Diameter	42 mm
Outer Diameter	80 mm
Width	36 mm
d	42 mm
D	80 mm
B	36 mm
C	34 mm
b	18 mm
r1 min.	3,5 mm
r2 min.	3 mm
	57,8 Tolerance h14
Weight	0,76 Kg
Basic dynamic load rating (C)	47,5 kN
Basic static load rating (C0)	46 kN

42BWD13 Bearing 2D drawings and 3D CAD models