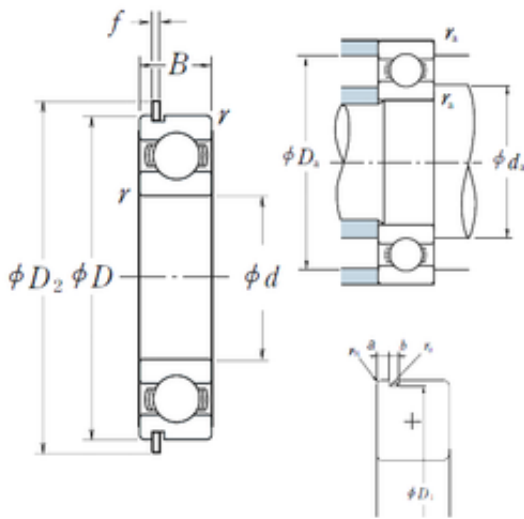




NEI Manufacturing Bearing LTD.



55 mm x 90 mm x 18 mm NSK 6011NR deep groove ball bearings

Bearing No. 6011NR

6011NR Bearing 2D drawings and 3D CAD models

Size	55x90x18 mm
Bore Diameter	55 mm
Outer Diameter	90 mm
Width	18 mm
d	55 mm
D	90 mm
B	18 mm
C	18 mm
rn	0,5 mm
a	2,87 mm
b	2,7 mm
f	2,46 mm
r min.	1,1 mm
r0 max.	0,6 mm
D1	86,79 mm
D2	96,5 mm
da min.	61,5 mm
da max	64 mm
Da max.	83,5 mm
ra max.	1 mm
Weight	0,381 Kg
Basic dynamic load rating (C)	28,3 kN
Basic static load rating (C0)	21,2 kN
(Grease) Lubrication Speed	7 500 r/min
(Oil) Lubrication Speed	9 000 r/min



NEI Manufacturing Bearing LTD.

Category	Single Row Ball Bearings
Inventory	0.0
Manufacturer Name	NSK
Minimum Buy Quantity	N/A
Weight / Kilogram	0.4
EAN	0029176034312
Product Group	B00308
Enclosure	Open
Precision Class	ABEC 1 ISO P0
Maximum Capacity / Filling Slot	No
Rolling Element	Ball Bearing
Snap Ring	Yes
Internal Special Features	No
Cage Material	Steel
Internal Clearance	C0-Medium
Inch - Metric	Metric
Long Description	55MM Bore; 90MM Outside Diameter; 18MM Outer Race Diameter; Open; Ball Bearing; ABEC 1 ISO P0; No Filling Slot; Yes Snap Ring; No Internal Special Features
Category	Single Row Ball Bearing
UNSPSC	31171504
Harmonized Tariff Code	8482.10.50.68
Noun	Bearing
Keyword String	Ball
Manufacturer URL	http://www.nskamericas.com
Manufacturer Item Number	6011NR
Weight / LBS	0.42
Outside Diameter	3.543 Inch 90 Millimeter
Outer Race Width	0.709 Inch 18 Millimeter



NEI Manufacturing Bearing LTD.

Bore	2.165 Inch 55 Millimeter
bore diameter:	55 mm
closure type:	Open
outside diameter:	90 mm
snap ring included:	With Snap Ring
overall width:	18 mm
internal clearance:	Normal Clearance
bore type:	Round
manufacturer upc number:	029176034312
SRI	5.34
hidYobi	6011NR
LangID	1
ro	0.6
D_	90
SREX	0.025
B_	18
da min	61.5
hidTable	ecat_NSRDGB
Oil rpm	9000
SRE	5.34
Cy	5
mass	0.381
GRS rpm	7500
ra	1
SRIX	0.025
D_a	83.5
SRIN	-0.025
C0	21.2
fo	15.3
SREN	-0.025
DE_	82.819
Prod_Type3	DGBB_SR_NR_OT



NEI Manufacturing Bearing LTD.

DA_	10.319
bomp	0
Z_	13
yobi	6011NR
Dx	98
C_conv	28300
ALPHA_	0
SDM_	72.5
r	1.1
KBRG	6101
SBRG	10
DI_	62.181