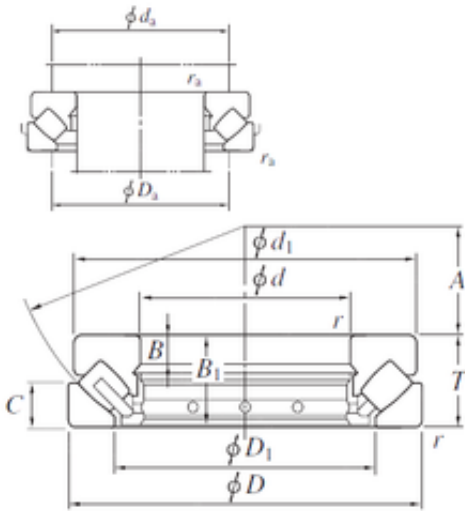




NEI Manufacturing Bearing LTD.

300 mm x 480 mm x 37 mm KOYO 29360
thrust roller bearings

Bearing No. 29360



29360 Bearing 2D drawings and 3D CAD models

Size	300x480x109 mm
Bore Diameter	300 mm
Outer Diameter	480 mm
Width	109 mm
d	300 mm
D	480 mm
T	109 mm
d1	460 mm
r min.	5 mm
A	168 mm
B	37 mm
B1	105 mm
C	50 mm
D1	379 mm
da min.	380 mm
Da max.	420 mm
ra max.	4 mm
Weight	749 Kg
Basic dynamic load rating (C)	1970 kN
Bearing No.	29360
r(min)	5
Ca	2470
Coa	7780
Oil lub.	700
da(min)	380



NEI Manufacturing Bearing LTD.

Da(max)	420
ra(max)	4
(Refer.)Mass(kg)	74.9