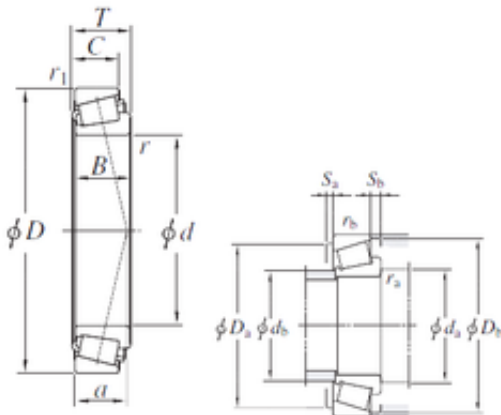




# NEI Manufacturing Bearing LTD.

177,8 mm x 319,964 mm x 85,725 mm KOYO  
H239640/H239610 tapered roller bearings

Bearing No. H239640/H239610



H239640/H239610 Bearing 2D drawings and 3D CAD models

Size	177.8x319.964x88.9 mm
Bore Diameter	177,8 mm
Outer Diameter	319,964 mm
Width	88,9 mm
d	177,8 mm
D	319,964 mm
T	88,9 mm
B	85,725 mm
C	65,088 mm
a	66,1 mm
r min.	3,6 mm
r1 min.	4,8 mm
da min.	190 mm
Da min	286 mm
Da max.	305 mm
db max.	214 mm
ra max.	3,6 mm
rb max.	4,8 mm
Db	300 mm
Weight	26,9 Kg
Basic dynamic load rating (C)	853 kN
Basic static load rating (C0)	1270 kN
Calculation factor (e)	0,32
Calculation factor (Y0)	1,04