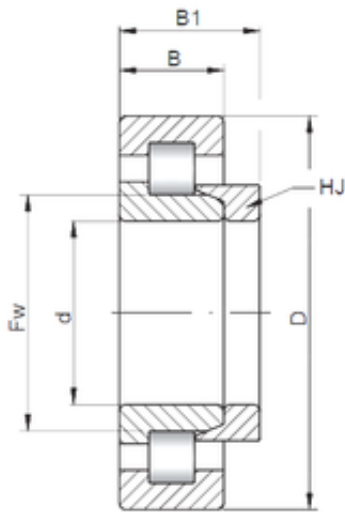




NEI Manufacturing Bearing LTD.



45 mm x 100 mm x 36 mm ISO NH2309
cylindrical roller bearings

Bearing No. NH2309

Size	45x100x36 mm
Bore Diameter	45 mm
Outer Diameter	100 mm
Width	36 mm
d	45 mm
D	100 mm
B	36 mm
C	36 mm
B1	7 mm
B2	13 mm

NH2309 Bearing 2D drawings and 3D CAD models