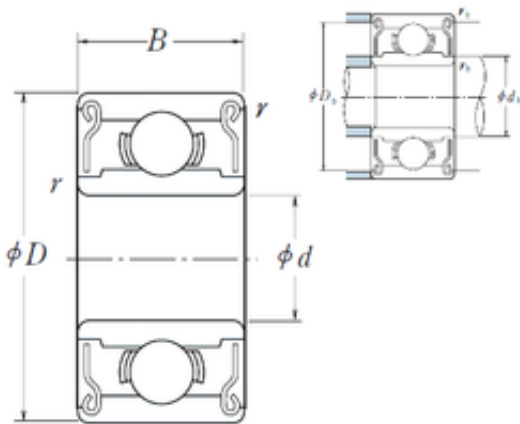




NEI Manufacturing Bearing LTD.

4 mm x 16 mm x 5 mm ISO 634ZZ deep groove ball bearings

Bearing No. 634ZZ



634ZZ Bearing 2D drawings and 3D CAD models

Size	4x16x5 mm
Bore Diameter	4 mm
Outer Diameter	16 mm
Width	5 mm
d	4 mm
D	16 mm
B	5 mm
C	5 mm
r min.	0,3 mm