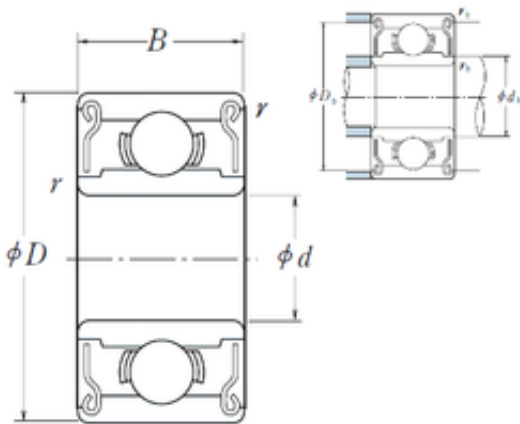




NEI Manufacturing Bearing LTD.

6 mm x 10 mm x 3 mm ISO MR106ZZ deep groove ball bearings

Bearing No. MR106ZZ



MR106ZZ Bearing 2D drawings and 3D CAD models

| | |
|----------------|-----------|
| Size | 6x10x3 mm |
| Bore Diameter | 6 mm |
| Outer Diameter | 10 mm |
| Width | 3 mm |
| d | 6 mm |
| D | 10 mm |
| B | 3 mm |
| C | 3 mm |
| r min. | 0,1 mm |