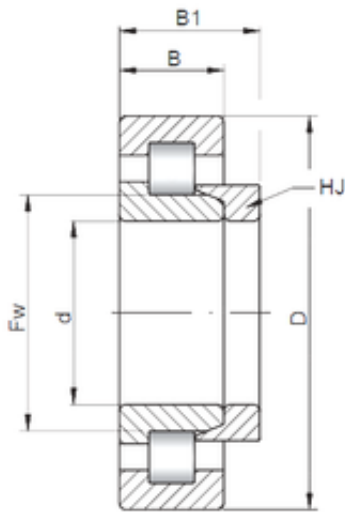




NEI Manufacturing Bearing LTD.



200 mm x 310 mm x 51 mm ISO NH1040
cylindrical roller bearings

Bearing No. NH1040

Size	200x310x51 mm
Bore Diameter	200 mm
Outer Diameter	310 mm
Width	51 mm
d	200 mm
D	310 mm
B	51 mm
C	51 mm
B1	13 mm
B2	25,5 mm

NH1040 Bearing 2D drawings and 3D CAD models