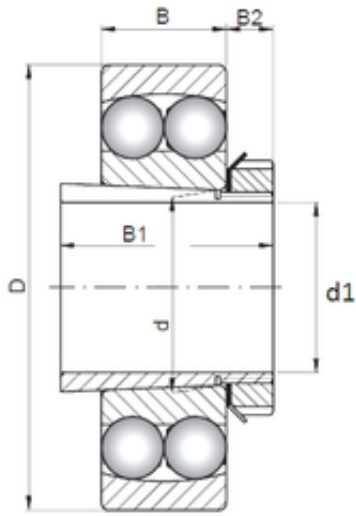




NEI Manufacturing Bearing LTD.



70 mm x 125 mm x 24 mm ISO 1214K+H214
self aligning ball bearings

Bearing No. 1214K+H214

Size	70x125x24 mm
Bore Diameter	70 mm
Outer Diameter	125 mm
Width	24 mm
d	70 mm
d1	60 mm
D	125 mm
B	24 mm
C	24 mm
B1	41 mm
B2	14 mm

1214K+H214 Bearing 2D drawings and 3D CAD models